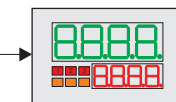


TCT201-2ABC "COUNTER"



COUNTER FUNCTION

P-01 Counter Function
Func Single (1 Counter)
Sing Single (1 Counter)
Double Double (2 Counters)

BACKUP MEMORY CONFIGURATION

P-02 Power-off Memory
Mem Disable
cnt1 Counter 1
cnt2 Counter 2
ALL All Counter

COUNTER CLOCK CONFIGURATION

P-15 Clock Counter 1
Enc Encoder
Up-- I1 Up, I2 Off
da-- I1 Off, I2 Off
--up I1 Off, I2 Up
--da I1 Off, I2 Down
upda I1 Up, I2 Down
upel I1 Up, I2 En./Lock
upex I1 Up, I2 En./Hold
dael I1 Down, I2 En./Lock
daex I1 Down, I2 En./Hold
oc2 Output Counter 2

INPUT CONFIGURATION

P-03 Hardware Input 1
inp1 NPN
pp1 PNP
tcl TTL

P-04 Hardware Input 2
inp2 NPN
pp2 PNP
tcl TTL

P-05 Hardware Input 3
inp3 PNP
tcl TTL
pot Potent.

P-06 Filter Delay Input 1
fil1 No delay
05 0,5 ms
1000 100,0 ms

P-07 Filter Delay Input 2
fil2 No delay
05 0,5 ms
1000 100,0 ms

P-08 Filter Delay Input 3
fil3 No delay
05 0,5 ms
1000 100,0 ms

P-09 Active State Input 1
ast1 Rising edge
fall Falling edge

P-10 Active State Input 2
ast2 High Level
low Low Level
rise Rising edge
fall Falling edge

P-11 Active State Input 3
ast3 Rising edge
fall Falling edge

P-12 Function Input 3
func Disable
encz Encoder Z
ld1 Load Counter 1
ld2 Load Counter 2
ld12 Load Counter 1&2

P-13 Function Key UP
keyup Disable
ld1 Load Counter 1
ld2 Load Counter 2
ld12 Load Counter 1&2

P-14 Potentiometer tarature
ptar Disable
en Enable

AUTOMATIC LOAD CONFIGURATION

P-23 Automatic Load Counter 1
alc1 Disable
set1 Counter 1 = Set 1
set2 Counter 1 = Set 2
sod1 Counter 1 = Set 1 + Output Duration 1 (counts)
sod2 Counter 1 = Set 2 + Output Duration 2 (counts)
uc1 Counter 1 = Visualized counts 1
s-d1 Counter 1 = Set 1 - Output Duration 1 (counts)
s-d2 Counter 1 = Set 2 - Output Duration 2 (counts)
sd1 Counter 1 = Set 1 after Output Duration 1 (time)
sd2 Counter 1 = Set 2 after Output Duration 2 (time)

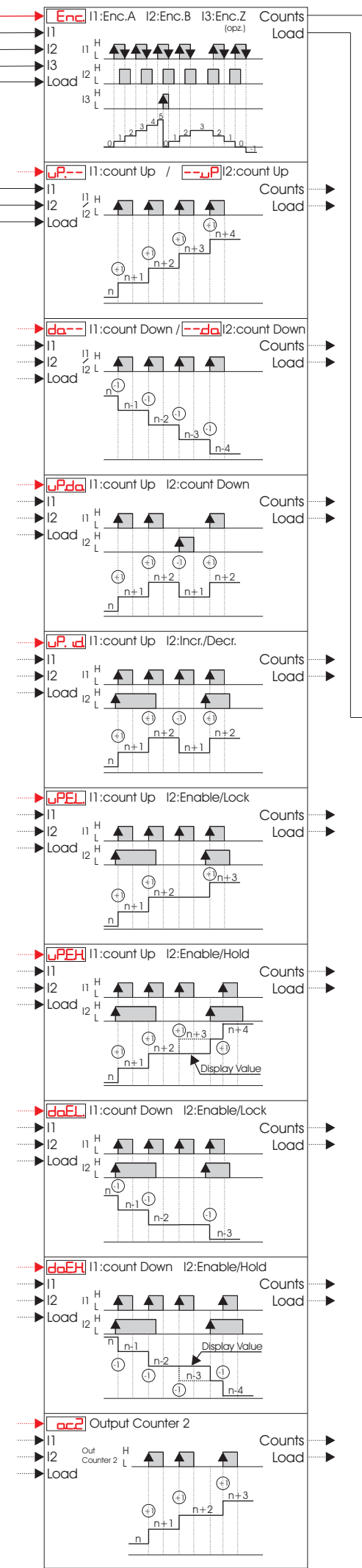
COUNTER LOAD VALUE CONFIGURATION

P-24 Counter 1 Load Value
ld1 Min value
9999 Max value

TABLA SEÑALACIONES DAÑOS

E-01	ERROR ESCRITURA MEMORIA EEPROM (Nota 1)
E-02	ERROR LECTURA MEMORIA EEPROM (Nota 1)
E-03	PARAMETROS ERRADOS (Nota 1)
E-04	DATOS DE CALIBRACION ERRADOS (Nota 1)
E-05	DATOS DE ESTADO ERRADOS (Nota 1)
E-06	REGISTROS DE BACKUP ERRADOS (Nota 2)

Nota 1: Apagar y re-encender el Instrumento; si el error persiste contactar el servicio asistencia.
Nota 2: Bateria recargable descargada, dejar encendido el Instrumento para consentir la recarga.



COUNTER OUTPUT MODE CONFIGURATION

P-25 Counter 1 Output Mode
out1 Counter ≥ Set
ene Counter ≥ Set * Output Duration (time)
cou Counter ≥ Set * Output Duration (counts)
se12 Counter ≥ Set1 + Set2
-se1 Counter ≤ Set
-en Counter ≤ Set * Output Duration (time)
-cou Counter ≤ Set * Output Duration (counts)
-s12 Counter ≤ Set1 + Set2

OUTPUT DURATION CONFIGURATION

P-26 Output 1 Duration
odur Output Duration Input by User
latch Latch output (clear only by load)
999 Min output duration
9999 Max output duration

SETPOINT CONFIGURATION

P-20 Display Set 1
ds1 Disable
us1 Visualized
mod1 Modifiable

P-22 Upper limit Set 1
ups1 Lower limit Set 1

COUNTERS DISPLAY CONFIGURATION

P-16 Display Counter 1
dis Disable
us1 Visualized

P-17 Decimal Point Counter 1
dpc1 0
00 0.0
000 0.00
0000 0.000

P-18 Counter 1 Input counts
inc1

P-19 Counter 1 Visualized counts
uc1

COUNTERS FREQUENCY DISPLAY CONFIGURATION

P-27 Display Frequency 1
dis Disable
us1 Visualized

P-28 Decimal Point Frequency 1
dpc1 0
00 0.0
000 0.00
0000 0.000

P-29 Counter 1 Input Frequency
inf1

P-30 Counter 1 Visualized Frequency
uf1

Tipo de entrada	Entrada NPN	Entrada PNP	Entrada TTL
H	< 4,7 v	> 5,7 v (I1, I2) > 12,4 v (I3)	> 2,5 v
L	> 5,7 v	< 4,7 v (I1, I2) < 10,2 v (I3)	< 2,0 v

OUTPUT CONFIGURATION

P-31 Output Q1 Setup
out1 Disable
inc1 Out Counter 1 n.o.
inc Out Counter 1 n.c.
inc2 Out Counter 2 n.o.
inc Out Counter 2 n.c.

P-32 Output Q2 Setup
out2 Disable
inc1 Out Counter 1 n.o.
inc Out Counter 1 n.c.
inc2 Out Counter 2 n.o.
inc Out Counter 2 n.c.

