

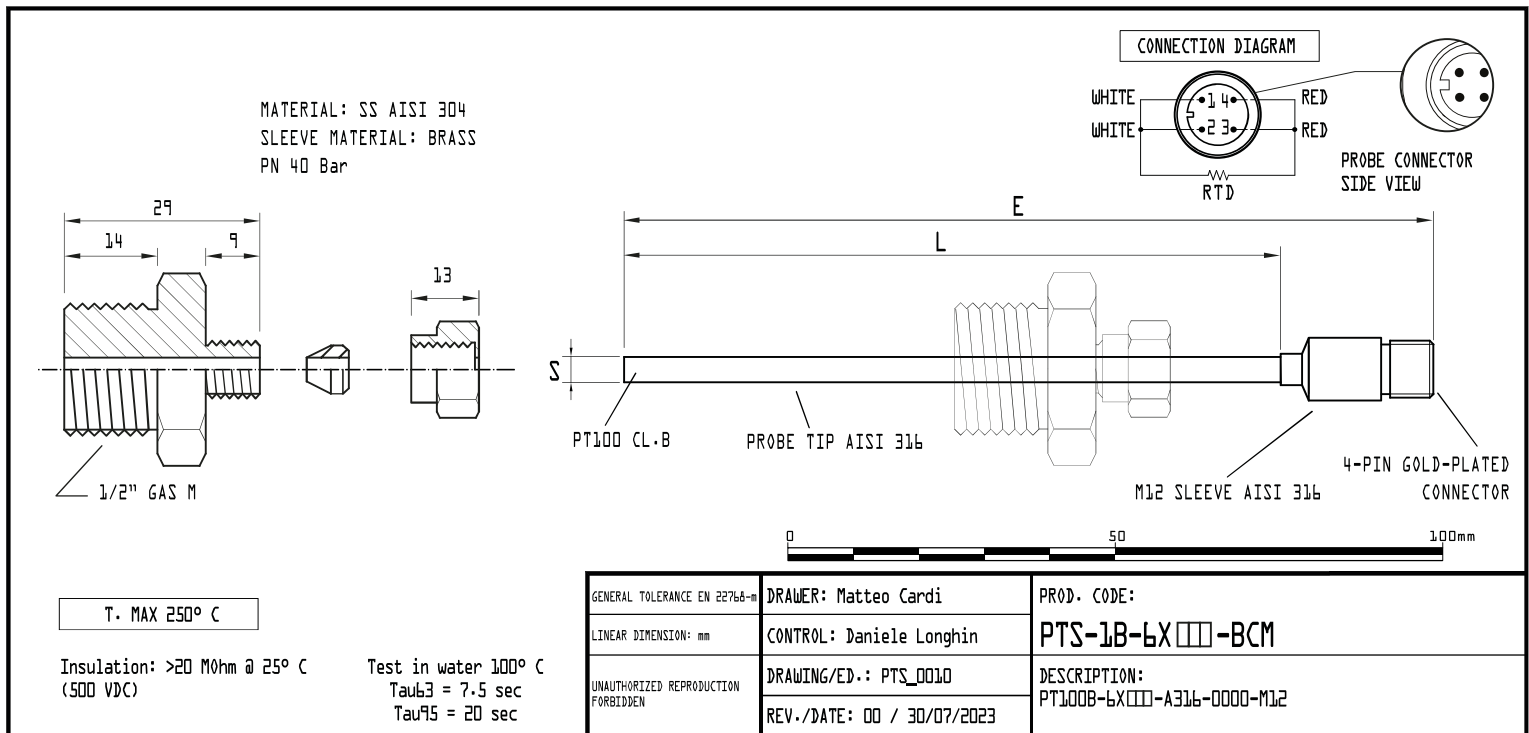
Pixsys[®]
ELECTRONICS

CODE: **PTS-1B-6X□□□-BCM**
DESCRIPTION: Temperature Sensor PT100 Class B, AISI316 sheath, Ø 6 mm, 1/2" male GAS sliding, M12

OPERATING TEMPERATURE: -100°C / +250°C
IMMERSED MATERIAL: Steel AISI 316L (food grade)
FITTING MATERIAL: N.A.
SENSOR INSULATION: MgO Magnesium Oxide >20Mohm @ 25°C (500VDC)
TIP TAPERING: NO
CERTIFICATION: NO

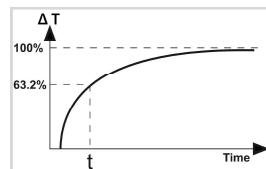
□□□ = SHEATH LENGTH (L): 050 = 50 mm
 100 = 100 mm
 150 = 150 mm
 200 = 200 mm
 L + 30 mm

TOTAL LENGTH (E): 6 mm
SHEATH EXT. Ø (S): 5 mm
SHEATH INT. Ø: 7,5 sec
RTD RESPONSE:
COMPLIANCE



STANDARD DIN EN 60751

Temperature C°	Tolerance PT100 B Class (+/- C°)
-200	1.3
-100	0.8
0	0.3
100	0.8
200	1.3
300	1.8
400	2.3
500	2.8



RTD response time with steel tube AISI-316/304 MgO insulated, conforming to B.S. 1904/1984/CEI60751. 50mm immersion in water at a speed of 1m/sec. Calculated on 63.2 % of the thermal jump, depending on stem diameter and thickness.

Pixsys srl
 Via Po, 16
 30030 - Mellaredo di Pianiga
 Venezia - Italia
 Tel. +39 041 5190518
 Fax +39 041 519002
 Mail info@pixsys.net
 www.pixsys.net



Manual's code: 2300.10.347
 Document version: rel.01
 Last update: 30/07/2023
 Author: Matteo Cardi

Ordering Code:

PTS- [] - [] - [] - []

Sensor type	
1B	PT100 CLASS B
KA	PT1000 CLASS A
KB	PT1000 CLASS B
5A	PT500 CLASS A
PK	PTC 1000 OHM
P2	PTC 120 OHM
N1	NTC 10K (β3435K)
N2	NTC 10K (β3694K)
N3	NTC 2252 (β3976K)
TH	NI100
I2	NI120
TK	THERMOCOUPLE K
TJ	THERMOCOUPLE J
TS	THERMOCOUPLE S

Process connection	
Examples:	
0	NN
1	1/8" MALE GAS FIXED UNDERHEAD
2	1/4" MALE GAS FIXED UNDERHEAD
3	1/2" MALE GAS FIXED UNDERHEAD
4	1" MALE GAS FIXED UNDERHEAD
...	
6	1/8" MALE NPT GAS FIXED UNDERHEAD
7	1/4" MALE NPT GAS FIXED UNDERHEAD
8	1/2" MALE NPT GAS FIXED UNDERHEAD
9	1" MALE NPT GAS FIXED UNDERHEAD
...	
A	1/8" MALE GAS SLIDING
B	1/4" MALE GAS SLIDING
C	1/2" MALE GAS SLIDING
D	1" MALE GAS SLIDING

Head/Cable/Connector	
Examples:	
A	HEAD DIN A
B	HEAD DIN B
C	HEAD MINI DIN
T	HEAD DIN A ATEX
X	HEAD DIN B ATEX
Y	HEAD MINI DIN ATEX
M	CONNECTOR M12 4 PIN
P	CONNECTOR HOSE
...	
1	GSC SILICONE CABLE 2m
2	PVCC CABLE 2m
3	TTS CABLE 2m
4	SPECIAL CABLE 2m
5	GSC SILICONE CABLE 3m
6	PVCC CABLE 3m
7	TTS CABLE 3m
8	SPECIAL CABLE 3m
9	FREE
Z	CUSTOM


Sheath diameter and length (S x L)	
Examples:	
6X050	Ext. Ø 6 mm x 50 mm
6X100	Ext. Ø 6 mm x 100 mm
6X200	Ext. Ø 6 mm x 200 mm
6X400	Ext. Ø 6 mm x 400 mm
8X250	Ext. Ø 8 mm x 250 mm
4X050	Ext. Ø 4 mm x 50 mm
AX150	Ext. Ø 10 mm x 150 mm
6X1M0	Ext. Ø 6 mm x 1 m
8X1M5	Ext. Ø 8 mm x 1,5 m
...	

Sheath material	
A	STEEL AISI304 SHEATH
B	STEEL AISI316 SHEATH
C	STEEL AISI308 SHEATH
M	STEEL AISI304 SHEATH, MgO INSULATION
N	INCONELL600 SHEATH
K	SINGLE CERAMIC SHEATH
Y	DOUBLE CERAMIC SHEATH

Suggested cables:



CODE:
CAB-M12FD5A3R
PVC 5 poles M12 female straight cable



CODE:
CAB-M12FA5A3R
PVC 5 poles M12 female angled cable

OPERATING TEMPERATURE:	-25°C / +80°C
HOUSING / MOLDED BODY:	TPU
INSERT:	TPU
CONTACT:	CuSn pre-nickel and 0.3 microns gold-plated
KNURLED SCREW:	CuZn, nickel-plated
O-RING:	FKM
PROTECTION DEGREE:	IP67 in locked position
CONTACT RESISTANCE:	≤ 5 mΩ
NOMINAL CURRENT AT 40°C:	4 A
NOMINAL/RATED VOLTAGE:	240 V / 250 V
TEST VOLTAGE:	2.0 kV eff. / 60 s
INSULATION RESISTANCE:	> 10 ⁹ Ω
POLLUTION DEGREE:	3