

# DST100 Overview

 Programmable  
by RFID /NFC  
No wiring required!



## Temperature switch-transmitter-display / all-in-one

Analogue output mA / V

2x PNP digital alarm outputs

Rescalable till 1:2 full scale

Display and electrical connection are independently rotatable 335° / 343°

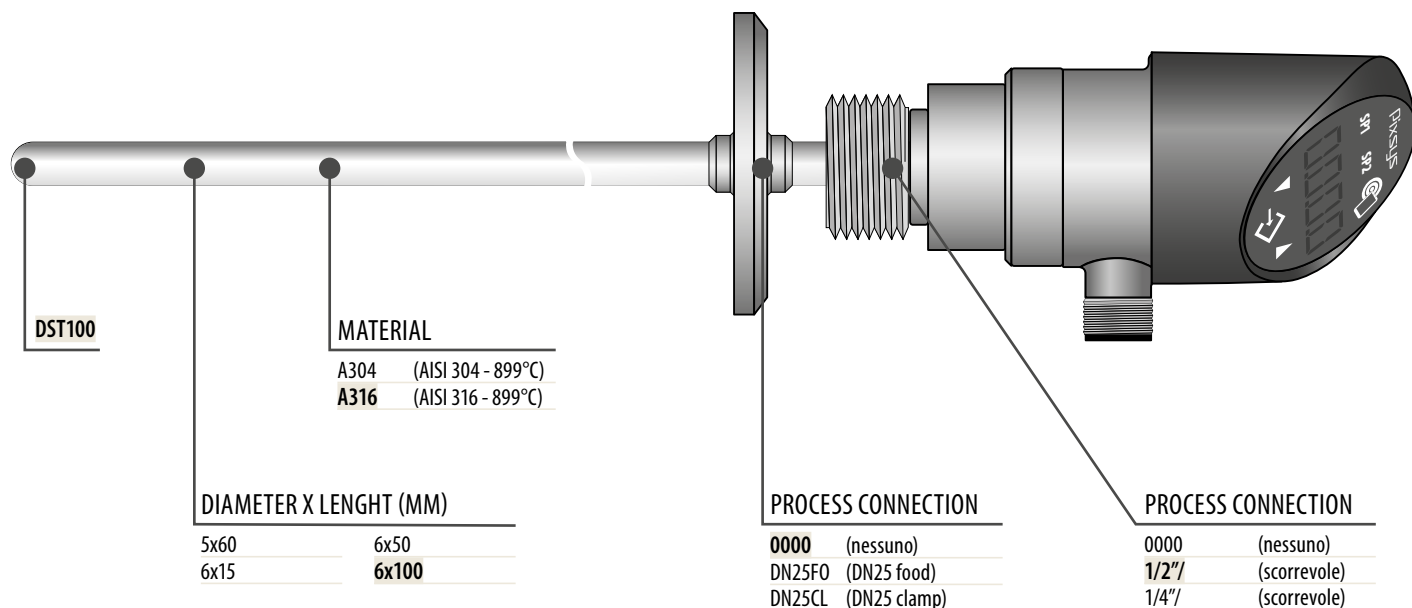
**Pixsys srl**

Via Po 16, I - 30030 Mellaredo di Pianiga VE  
Ph. +39 041 519 0518 • Fax +39 041 519 0027

www.pixsys.net - sales@pixsys.net

# Dimensions - Process Connection



example code:

## DST100-6x100-A316-1/2"/F

## Main features

Box	93 x 37 mm
Power supply	15..30 VDC
Power consumption	Max 0,8 W
Operating conditions	Temperature -25.. + 85 °C, humidity 35..95 RH%
Material	Sensor housing steel galvanised, display housing plastic
Weight	Approx. 189 g
Sealing	IP65


## Technical data

Measuring range	- 50°.. + 150°C adjustable via software
Sensor type	PT1000
Electric connection	5 Pole Male M12x1
Housing orientation	Display 335° rotatable - Electrical connection 343° rotatable
Sensor working temperature	- 25.. + 85°C
Accuracy	± 0,5% F.S. @25°C

## Outputs

2 digital	Transistor PNP max 500 mA
1 analogue	Selectable 4..20 mA / 0..10 V

## Software features

Analogue output	Switchable mA or V
Display	4 digit 1..3 decimal points
Pressure unit	Selectable Celsius, Fahrenheit
Datalogger	Ring buffer: 3518 data points - Sampling time: 0.1...999.9 s, Off (0)
Quick set-up options	Programming via APP (NFC) for Android smartphones 

## Ordering codes

2000.01.002	DST100-6x100-A316-1/2"/F SENS. TEMP. VIS. M12 RANGE -50°+150°C
2000.01.004	DST100-6x200-A316-1/2"/F SENS. TEMP. VIS. M12 RANGE -50°+150°C
2000.02.002	DST100-6x100-A316-1/4"/F SENS. TEMP. VIS. M12 RANGE -50°+150°C
2000.02.004	DST100-6x200-A316-1/4"/F SENS. TEMP. VIS. M12 RANGE -50°+150°C
2000.03.002	DST100-6x100-A316-1/8"/F SENS. TEMP. VIS. M12 RANGE -50°+150°C
2000.03.004	DST100-6x200-A316-1/8"/F SENS. TEMP. VIS. M12 RANGE -50°+150°C
2000.15.002	DST100-6x100-A316-1/4"/NPT SENS. TEMP. VIS. M12 RANGE -50°+150°C
2000.15.004	DST100-6x200-A316-1/4"/NPT SENS. TEMP. VIS. M12 RANGE -50°+150°C