

# PyroCouple

## General Purpose Infrared Temperature Sensor with Analogue Output



- Temperature ranges from -20°C to 500°C
- Durable, robust stainless steel 316 housing, sealed to IP65
- Quick and easy installation
- 2-wire 4-20 mA output or 4-wire voltage/thermocouple output
- Choice of precision optics for large or small targets
- Fast response with high stability
- Wide range of accessories
- Fixed emissivity 0.95 for measuring non-reflective non-metals, and painted surfaces (including painted or coated metals)
- Conforms to industrial EMC standards

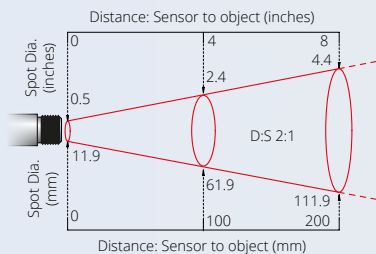
The PyroCouple is a simple, robust infrared temperature sensor with a choice of analogue outputs. No complicated setup is required - just connect a temperature indicator and power supply, and instantly start taking measurements.

It is suitable for non-contact temperature measurement on most non-reflective non-metal surfaces, such as paper, thick plastics, asphalt, painted surfaces, food, rubber and organic materials, among many others.

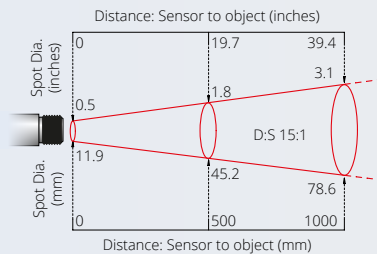
### SPECIFICATIONS

General	
<b>Output</b>	Choice of 4-20 mA, J or K Thermocouple, mV (See "Model Numbers")
<b>Temperature Range</b>	LT = -20 to +100 °C MT = 0 to 250 °C HT = 0 to 500 °C
<b>Accuracy</b>	±1% of reading or ±1°C, whichever is greater
<b>Repeatability</b>	± 0.5% of reading or ± 0.5°C, whichever is greater
<b>Emissivity Setting</b>	Fixed at 0.95
<b>Response Time</b>	240 ms (90% response)
<b>Spectral Range</b>	8 to 14 μm
<b>Supply Voltage (at Sensor)</b>	6 V DC to 28 V DC
<b>Max. Loop Impedance</b>	900 Ω ( 4-20 mA output)
<b>Output Impedance</b>	56 Ω (voltage/thermocouple output)
<b>Max. Current Draw</b>	20 mA

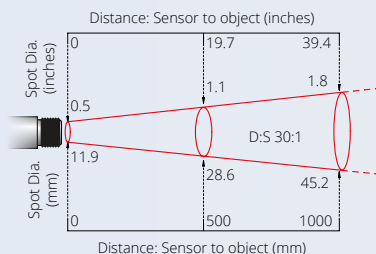
### OPTICS



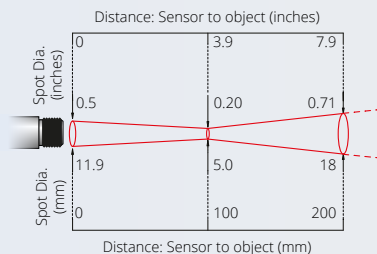
21 models



151 models



301 models



CF models

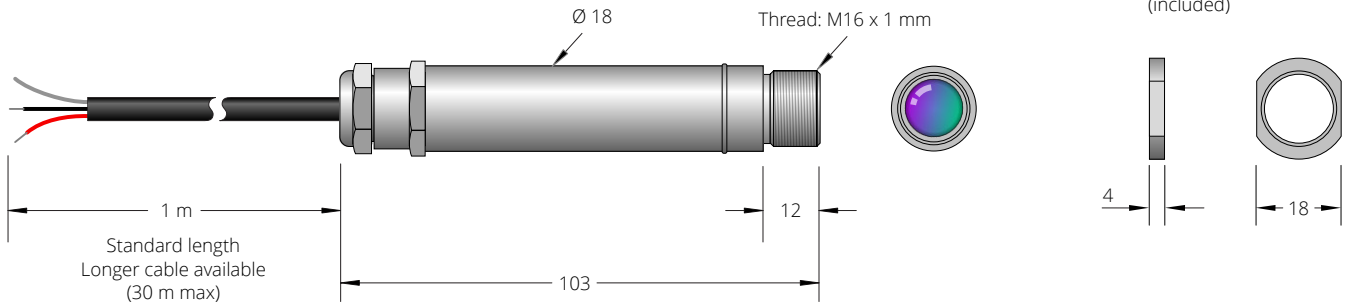
All models can measure at longer distances than shown, with a larger measured spot size.

Diagrams show the diameter of the measured target spot versus the distance from the sensing head (90% energy).

Mechanical	
<b>Construction</b>	Stainless Steel
<b>Dimensions</b>	18 mm diameter x 103 mm long
<b>Thread Mounting</b>	M16 x 1 mm pitch
<b>Cable Length</b>	1m (longer lengths available to order)
<b>Weight with Cable</b>	95 g

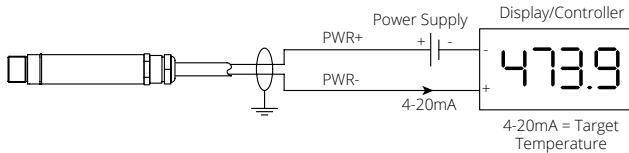
Environmental	
<b>Environmental (IP) Rating</b>	IP65
<b>Ambient (Operating) Temperature Range</b>	0°C to 70°C
<b>Ambient (Operating) Humidity</b>	95% max. non-condensing

## DIMENSIONS (mm)

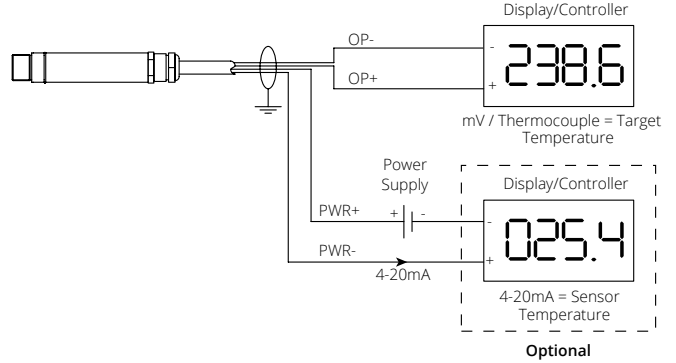


## CONNECTIONS

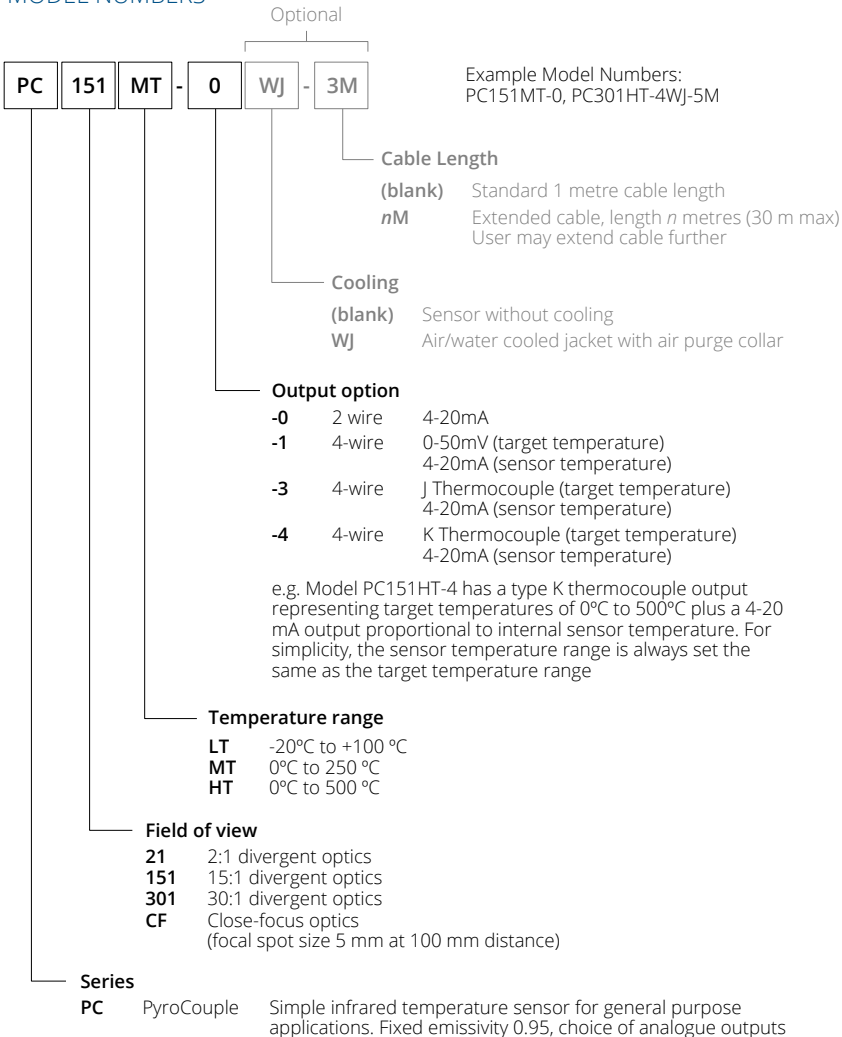
### Two-wire (option 0)



### Four-wire (options 1 to 4)



## MODEL NUMBERS



## ACCESSORIES



Laser sighting tool **LSTS**



Dual laser sighting bracket, adjustable **DLSBAS** or fixed **DLSBFS**



Fixed mounting bracket **FBS**



Adjustable mounting bracket **ABS**



Air or water cooled jacket with air purge collar **WJ** (factory-fitted - see Model Numbers)



Air purge collar for 2:1 optics **APSW** or for all other optics (shown above) **APSN**

## Calex Electronics Limited

PO Box 2, Leighton Buzzard, Bedfordshire, England LU7 4AZ  
Tel: +44 (0) 1525 373178 | mail@calex.co.uk | www.calex.co.uk

Issue G - Feb 2021  
Specifications subject to change without notice